

Ferrite Cores for Induction Welding

Ferrite Rods and Tubes - Dimensional Data

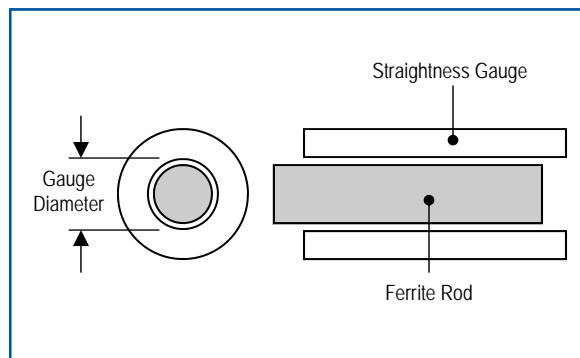
All MMG ferrite rods and tubes are manufactured in accordance with ISO 9002 quality systems. Dimensional tolerances are given below:

Dimensional Tolerances

Length: $\pm 2\%$

Straightness: Components pass through a full length gauge with an inside diameter equal to the ferrite core outside diameter +1.0 mm

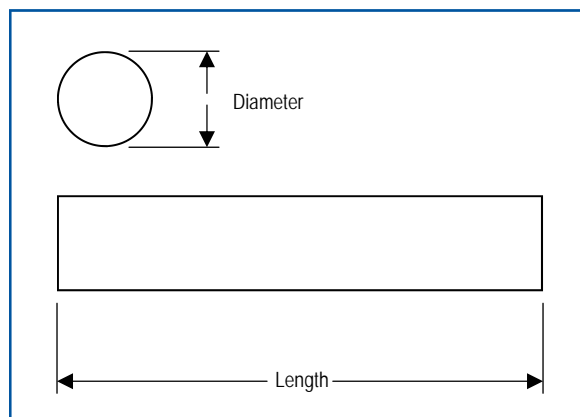
The following pages give details of MMG's range of standard rods and tubes. Customers are encouraged to enquire about non-standard items as a large variety of sizes or alternative material grades are available upon request.



Straightness Gauge

Plain Rods

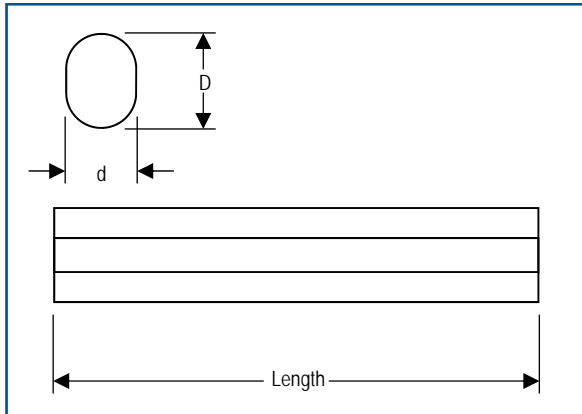
Diameter		Length		Part Number
[mm]	[in]	[mm]	[in]	
5.00 ± 0.30	0.197 ± 0.012	160.00	6.300	37-0516-59
5.00 ± 0.30	0.197 ± 0.012	200.00	7.870	37-0520-59
6.00 ± 0.30	0.236 ± 0.012	160.00	6.300	37-0616-59
6.00 ± 0.30	0.236 ± 0.012	200.00	7.870	37-0620-59
7.00 ± 0.30	0.276 ± 0.012	160.00	6.300	37-0716-59
7.00 ± 0.30	0.276 ± 0.012	200.00	7.870	37-0720-59
8.00 ± 0.30	0.315 ± 0.012	160.00	6.300	37-0816-59
8.00 ± 0.30	0.315 ± 0.012	200.00	7.870	37-0820-59
9.00 ± 0.30	0.354 ± 0.012	160.00	6.300	37-0916-59
9.00 ± 0.30	0.354 ± 0.012	200.00	7.870	37-0920-59
10.00 ± 0.35	0.394 ± 0.014	160.00	6.300	37-1016-59
10.00 ± 0.35	0.394 ± 0.014	200.00	7.870	37-1020-59
11.00 ± 0.35	0.433 ± 0.014	160.00	6.300	37-1116-59
11.00 ± 0.35	0.433 ± 0.014	200.00	7.870	37-1120-59
12.00 ± 0.35	0.472 ± 0.014	160.00	6.300	37-1216-59
12.00 ± 0.35	0.472 ± 0.014	200.00	7.870	37-1220-59
13.00 ± 0.40	0.512 ± 0.016	160.00	6.300	37-1316-59
13.00 ± 0.40	0.512 ± 0.016	200.00	7.870	37-1320-59
14.00 ± 0.40	0.551 ± 0.016	160.00	6.300	37-1416-59
14.00 ± 0.40	0.551 ± 0.016	200.00	7.870	37-1420-59
15.00 ± 0.45	0.591 ± 0.018	160.00	6.300	37-1516-59
15.00 ± 0.45	0.591 ± 0.018	200.00	7.870	37-1520-59
16.00 ± 0.50	0.630 ± 0.020	160.00	6.300	37-1616-59
16.00 ± 0.50	0.630 ± 0.020	200.00	7.870	37-1620-59
17.00 ± 0.50	0.669 ± 0.020	160.00	6.300	37-1716-59
17.00 ± 0.50	0.669 ± 0.020	200.00	7.870	37-1720-59
18.00 ± 0.55	0.709 ± 0.020	160.00	6.300	37-1816-59
18.00 ± 0.55	0.709 ± 0.020	200.00	7.870	37-1820-59



Plain Rod

Alternative diameters and lengths are available upon request.

Ferrite Cores for Induction Welding



Flat Sided Rod

Flat Sided Rods

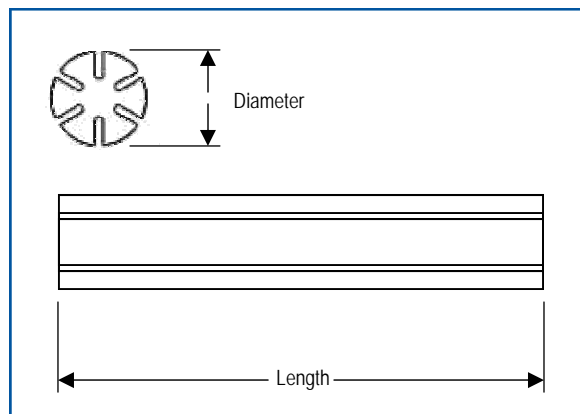
D		d		Length		Part Number
[mm]	[in]	[mm]	[in]	[mm]	[in]	
5.00 ± 0.30	0.197 ± 0.012	4.50	0.177	160.00	6.300	39-0516-59
5.00 ± 0.30	0.197 ± 0.012	4.50	0.177	200.00	7.870	39-0520-59
6.00 ± 0.30	0.236 ± 0.012	0.540	0.213	160.00	6.300	39-0616-59
6.00 ± 0.30	0.236 ± 0.012	0.540	0.213	200.00	7.870	39-0620-59
7.00 ± 0.30	0.276 ± 0.012	6.30	0.248	160.00	6.300	39-0716-59
7.00 ± 0.30	0.276 ± 0.012	6.30	0.248	200.00	7.870	39-0720-59
8.00 ± 0.30	0.315 ± 0.012	7.20	0.283	160.00	6.300	39-0816-59
8.00 ± 0.30	0.315 ± 0.012	7.20	0.283	200.00	7.870	39-0820-59
9.00 ± 0.30	0.354 ± 0.012	8.10	0.319	160.00	6.300	39-0916-59
9.00 ± 0.30	0.354 ± 0.012	8.10	0.319	200.00	7.870	39-0920-59
10.00 ± 0.35	0.394 ± 0.014	9.00	0.354	160.00	6.300	39-1016-59
10.00 ± 0.35	0.394 ± 0.014	9.00	0.354	200.00	7.870	39-1020-59
11.00 ± 0.35	0.433 ± 0.014	9.90	0.390	160.00	6.300	39-1116-59
11.00 ± 0.35	0.433 ± 0.014	9.90	0.390	200.00	7.870	39-1120-59
12.00 ± 0.35	0.472 ± 0.014	10.80	0.425	160.00	6.300	39-1216-59
12.00 ± 0.35	0.472 ± 0.014	10.80	0.425	200.00	7.870	39-1220-59
13.00 ± 0.40	0.512 ± 0.016	11.70	0.461	160.00	6.300	39-1316-59
13.00 ± 0.40	0.512 ± 0.016	11.70	0.461	200.00	7.870	39-1320-59
14.00 ± 0.40	0.551 ± 0.016	12.60	0.496	160.00	6.300	39-1416-59
14.00 ± 0.40	0.551 ± 0.016	12.60	0.496	200.00	7.870	39-1420-59
15.00 ± 0.45	0.591 ± 0.018	13.50	0.531	160.00	6.300	39-1516-59
15.00 ± 0.45	0.591 ± 0.018	13.50	0.531	200.00	7.870	39-1520-59
16.00 ± 0.50	0.630 ± 0.020	14.40	0.567	160.00	6.300	39-1616-59
16.00 ± 0.50	0.630 ± 0.020	14.40	0.567	200.00	7.870	39-1620-59
17.00 ± 0.50	0.669 ± 0.020	15.30	0.602	160.00	6.300	39-1716-59
17.00 ± 0.50	0.669 ± 0.020	15.30	0.602	200.00	7.870	39-1720-59
18.00 ± 0.55	0.709 ± 0.020	16.20	0.638	160.00	6.300	39-1816-59
18.00 ± 0.55	0.709 ± 0.020	16.20	0.638	200.00	7.870	39-1820-59

Alternative diameters and lengths are available upon request.

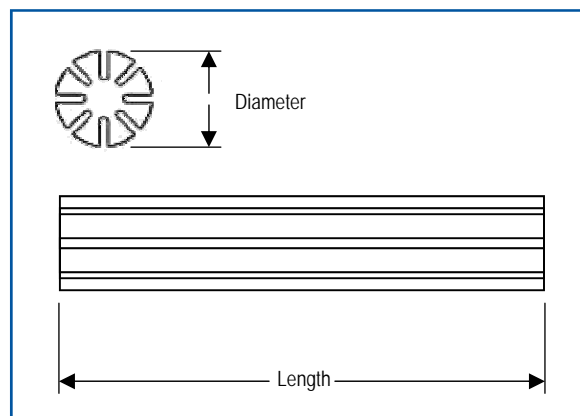
Ferrite Cores for Induction Welding

Fluted Rods

Diameter		Length		Type	Part Number
[mm]	[in]	[mm]	[in]		
5.00 ± 0.30	0.197 ± 0.012	160.00	6.300	1	38-0516-59
5.00 ± 0.30	0.197 ± 0.012	200.00	7.870	1	38-0520-59
6.00 ± 0.30	0.236 ± 0.012	160.00	6.300	1	38-0616-59
6.00 ± 0.30	0.236 ± 0.012	200.00	7.870	1	38-0620-59
7.00 ± 0.30	0.276 ± 0.012	160.00	6.300	1	38-0716-59
7.00 ± 0.30	0.276 ± 0.012	200.00	7.870	1	38-0720-59
8.00 ± 0.30	0.315 ± 0.012	160.00	6.300	1	38-0816-59
8.00 ± 0.30	0.315 ± 0.012	200.00	7.870	1	38-0820-59
9.00 ± 0.30	0.354 ± 0.012	160.00	6.300	1	38-0916-59
9.00 ± 0.30	0.354 ± 0.012	200.00	7.870	1	38-0920-59
10.00 ± 0.35	0.394 ± 0.014	160.00	6.300	1	38-1016-59
10.00 ± 0.35	0.394 ± 0.014	200.00	7.870	1	38-1020-59
11.00 ± 0.35	0.433 ± 0.014	160.00	6.300	2	38-1116-59
11.00 ± 0.35	0.433 ± 0.014	200.00	7.870	2	38-1120-59
12.00 ± 0.35	0.472 ± 0.014	160.00	6.300	2	38-1216-59
12.00 ± 0.35	0.472 ± 0.014	200.00	7.870	2	38-1220-59
13.00 ± 0.40	0.512 ± 0.016	160.00	6.300	2	38-1316-59
13.00 ± 0.40	0.512 ± 0.016	200.00	7.870	2	38-1320-59
14.00 ± 0.40	0.551 ± 0.016	160.00	6.300	2	38-1416-59
14.00 ± 0.40	0.551 ± 0.016	200.00	7.870	2	38-1420-59
15.00 ± 0.45	0.591 ± 0.018	160.00	6.300	2	38-1516-59
15.00 ± 0.45	0.591 ± 0.018	200.00	7.870	2	38-1520-59
16.00 ± 0.50	0.630 ± 0.020	160.00	6.300	2	38-1616-59
16.00 ± 0.50	0.630 ± 0.020	200.00	7.870	2	38-1620-59
17.00 ± 0.50	0.669 ± 0.020	160.00	6.300	2	38-1716-59
17.00 ± 0.50	0.669 ± 0.020	200.00	7.870	2	38-1720-59
18.00 ± 0.55	0.709 ± 0.020	160.00	6.300	2	38-1816-59
18.00 ± 0.55	0.709 ± 0.020	200.00	7.870	2	38-1820-59
19.00 ± 0.55	0.748 ± 0.020	160.00	6.300	2	38-1916-59
19.00 ± 0.55	0.748 ± 0.020	200.00	7.870	2	38-1920-59
20.00 ± 0.60	0.787 ± 0.024	160.00	6.300	2	38-2016-59
20.00 ± 0.60	0.787 ± 0.024	200.00	7.870	2	38-2020-59
21.00 ± 0.60	0.827 ± 0.024	160.00	6.300	2	38-2116-59
21.00 ± 0.60	0.827 ± 0.024	200.00	7.870	2	38-2120-59



Fluted Rod - Type 1 (6 Slot)



Fluted Rod - Type 2 (8 Slot)

Alternative diameters and lengths are available upon request.

