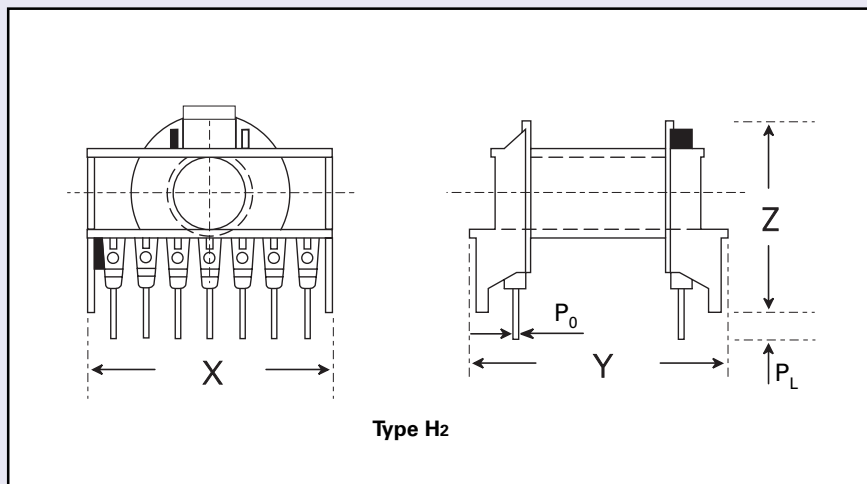
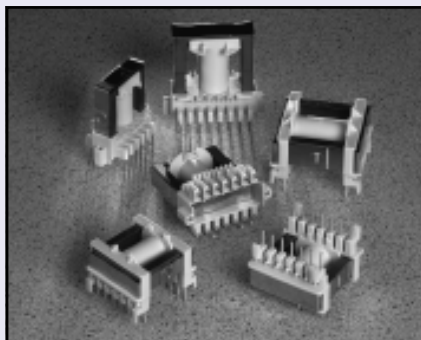
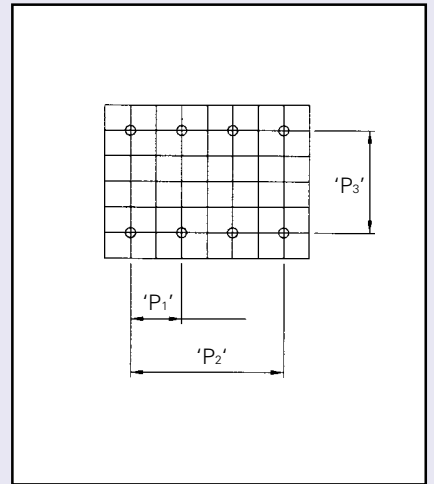
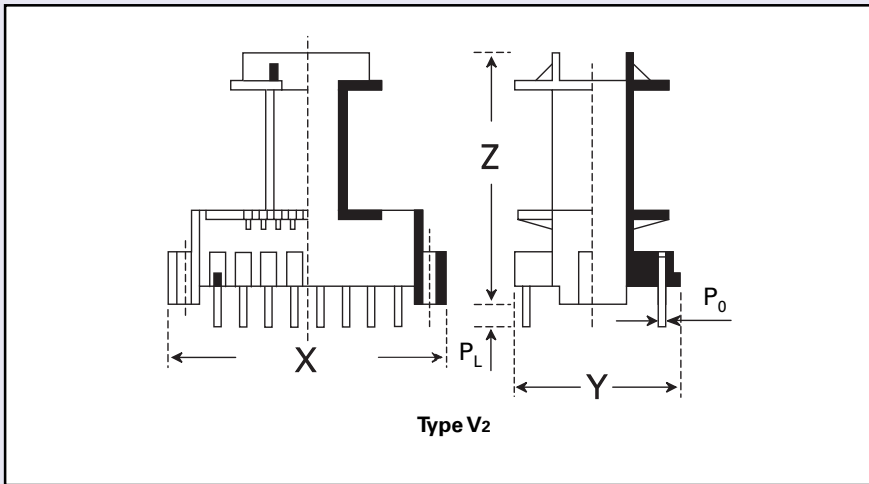


# ETD Coilformers 59-5XX-



Part No.	Type	Dimensions			Winding Data		No. of sections
		'X'	'Y'	'Z'	A <sub>N</sub> (mm <sup>2</sup> )	I <sub>N</sub> (mm)	
59-580-76	H <sub>2</sub>	34.0	37.0	28.0	89.0	53.0	Single
59-585-76	V <sub>2</sub>	34.6	24.0	40.9	89.0	53.0	Single
59-500-76	H <sub>2</sub>	38.5	40.0	30.4	123.0	60.0	Single
59-505-76	V <sub>2</sub>	38.8	26.4	43.2	123.0	60.0	Single
59-520-76	H <sub>2</sub>	43.5	45.0	33.4	177.0	69.0	Single
59-525-76	V <sub>2</sub>	43.5	29.0	47.9	177.0	69.0	Single
59-540-76	H <sub>2</sub>	48.8	50.0	36.0	214.0	77.0	Single
59-545-76	V <sub>2</sub>	48.8	31.5	51.8	214.0	77.0	Single
59-560-76	H <sub>2</sub>	53.5	55.0	38.2	273.0	85.0	Single
59-565-76	V <sub>2</sub>	53.5	34.0	56.0	273.0	85.0	Single

Clip Part Number	Core size	Dimensions		
		'A'	'B'	'C'
76-055-95	ETD 29	30.8	21.0	8.0
76-050-95	ETD 34	35.0	22.5	10.0
76-051-95	ETD 39	40.0	25.0	12.0
76-052-95	ETD 44	45.0	27.5	14.0
76-053-95	ETD 49	49.8	29.9	16.0



Pin Details						Material	Clip Part Number
No. of	P <sub>0</sub>	P <sub>1</sub>	P <sub>2</sub>	P <sub>3</sub>	P <sub>L</sub>		
14	1.1/0.75	5.08	30.48	25.40	4.5	PETP	76-055-95
12	1.1/0.75	5.08	25.40	20.32	4.5	PETP	76-055-95
14	1.1/0.75	5.08	30.48	25.40	4.5	PETP	76-050-95
14	1.1/0.75	5.08	30.48	22.86	4.5	PETP	76-050-95
16	1.1/0.75	5.08	35.56	30.48	4.5	PETP	76-051-95
16	1.1/0.75	5.08	35.56	25.40	4.5	PETP	76-051-95
18	1.1/0.75	5.08	40.64	35.56	4.5	PETP	76-052-95
18	1.1/0.75	5.08	40.64	27.94	4.5	PETP	76-052-95
20	1.1/0.75	5.08	45.72	40.64	4.5	PETP	76-053-95
20	1.1/0.75	5.08	45.72	30.48	4.5	PETP	76-053-95

