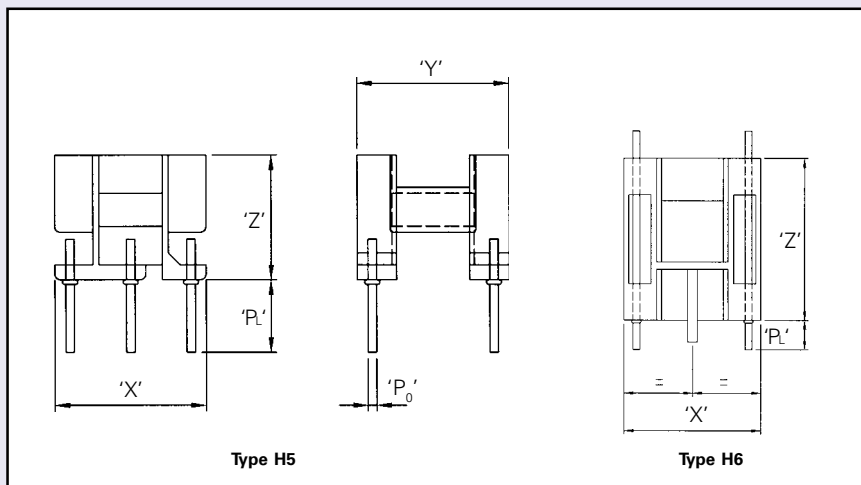
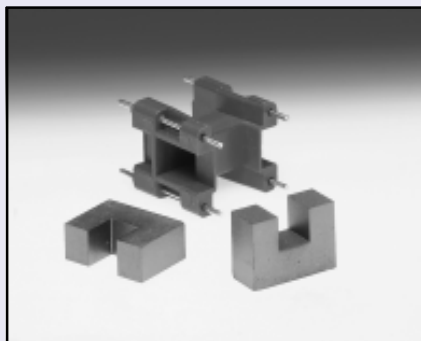
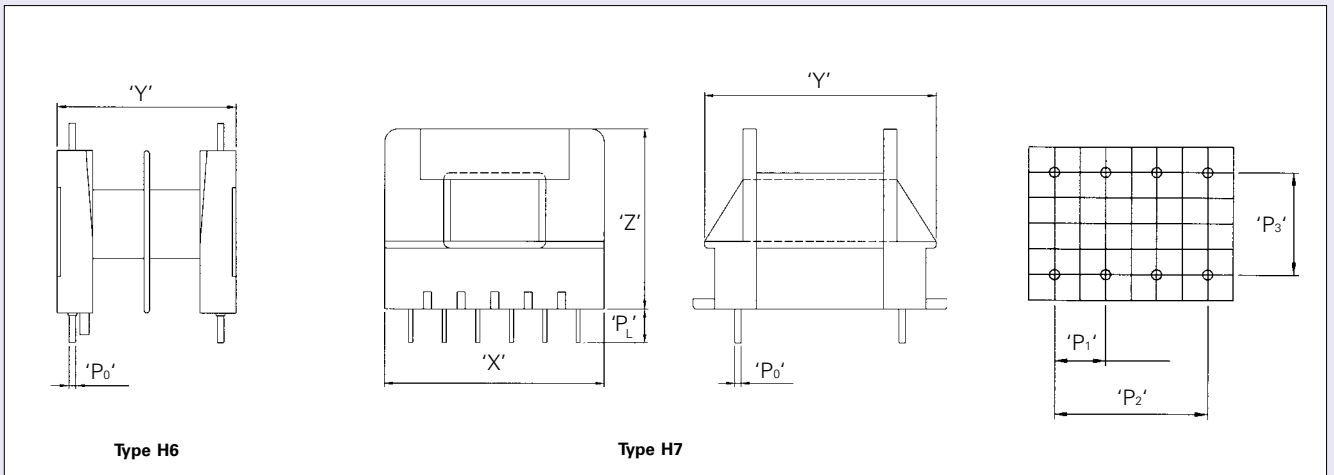


U,U+I Coilformers



Part No.	Type	Dimensions			Winding Data		No. of sections
		'X'	'Y'	'Z'	A _N (mm ²)	I _N (mm)	
59-490-66	H ₅	12.70	12.70	10.50	19.4	25.3	Single
59-112-66	H ₆	16.20	18.10	17.2	45.0	38.6	Single
59-100-66	H ₆	18.50	24.50	22.0	72.5	41.5	Single
59-115-66	H ₇	32.80	34.50	26.9	133.0	61.0	Single



Pin Details						Material	Used with Part Number
No. of	P ₀	P ₁	P ₂	P ₃	P _L		
6	0.71	5.08	10.16	10.16	6.0	Glass filled Nylon 66 (VO)	33/34-490-00
4	0.91	12.7	12.7	15.24	4.0	Glass filled Nylon 66 (VO)	34-010-00
4	1.00	15.24	15.24	20.32	4.0	Glass filled Nylon 66	34-012-00
12	0.95*	5.00	25.0	27.5	5.0	Glass filled Nylon 66 (VO)	34-015-00