

TECH ALERT

Magnetics Division

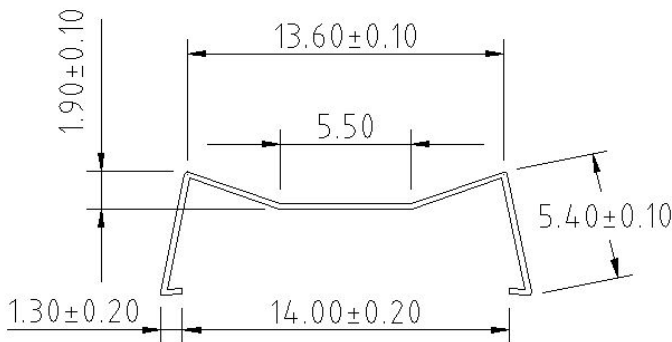
Clips for EI Planar Cores

MMG now offers both clips and planar cores that accept clips in the 14, 18 and 22 mm E+I combinations. Clips, an alternative to gluing, provide a means of easy assembly and have the advantage of reducing assembly cost and remove the process of adhesive curing.

Most importantly, the use of clips removes the undesirable adhesive film thickness in the air gap that would otherwise have the effect of reducing A_L value. This is particularly important in using very high permeability ferrite materials for inductors where only a few microns of adhesive "gap" cause a significant loss of inductance.

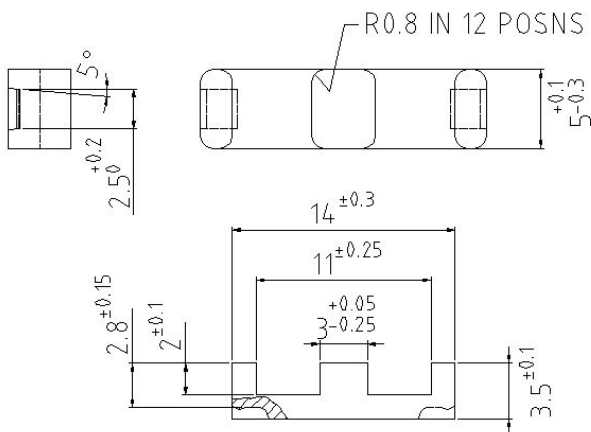
Clips are made from CrNi stainless steel.

Clip for 14mm EI cores

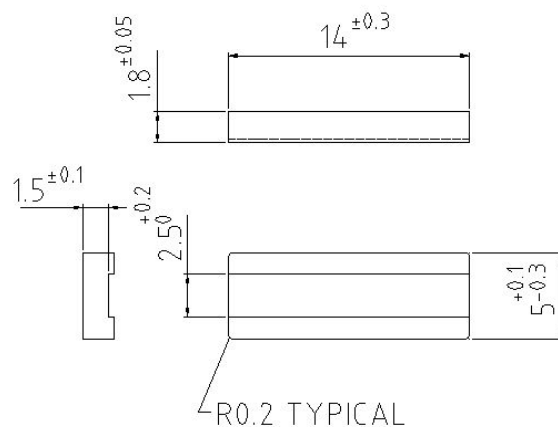


Clip part no: 76-9120-95
To be used with E core and I bar shown below

Note:
** = 48 for F48 material
or 47 for F47 material



32-9120-** 14mm E core

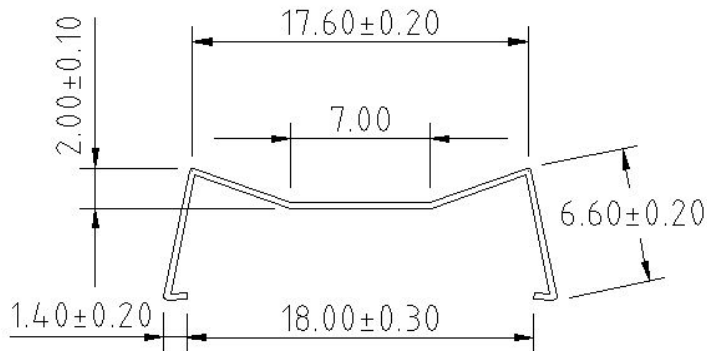


33-9120-** 14mm I bar

TECH ALERT

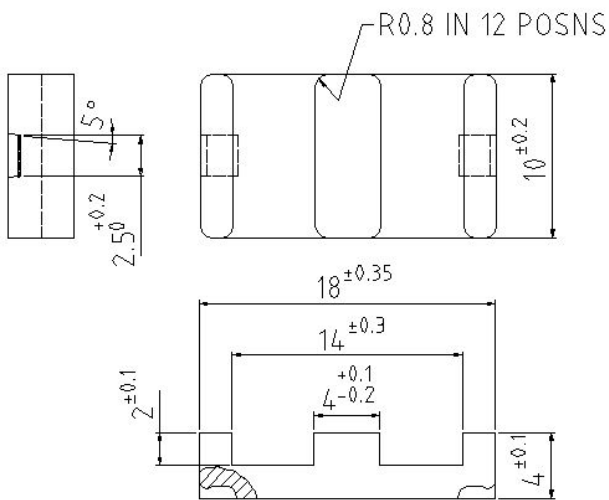
Magnetics Division

Clip for 18mm EI cores

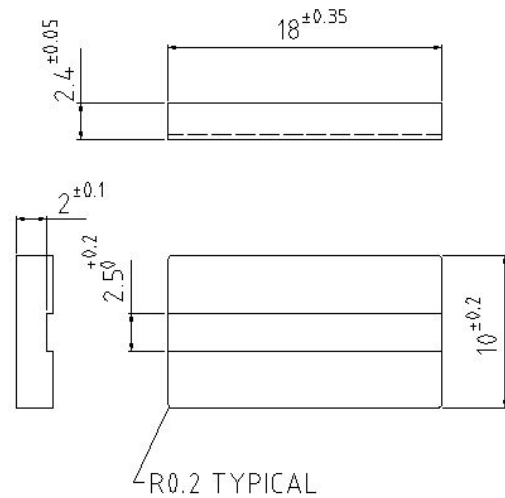


Clip part no: 76-9160-95
To be used with E core and I bar shown below

Note:
** = 48 for F48 material
or 47 for F47 material



32-9160-** 18mm E core

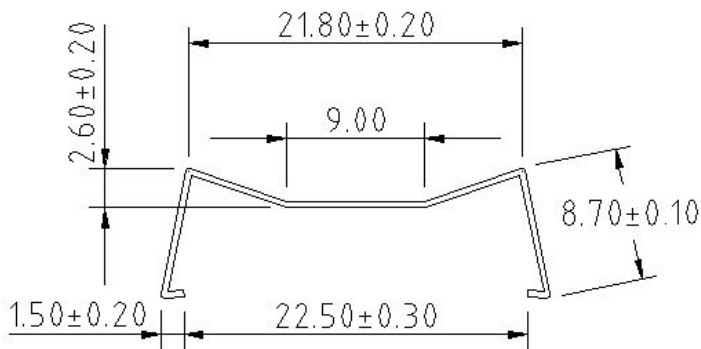


33-9160-** 18mm I bar

TECH ALERT

Magnetics Division

Clip for 22mm EI cores

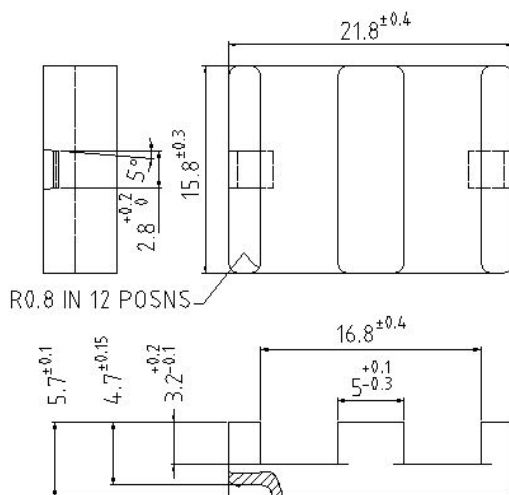


Clip part no: 76-9170-95

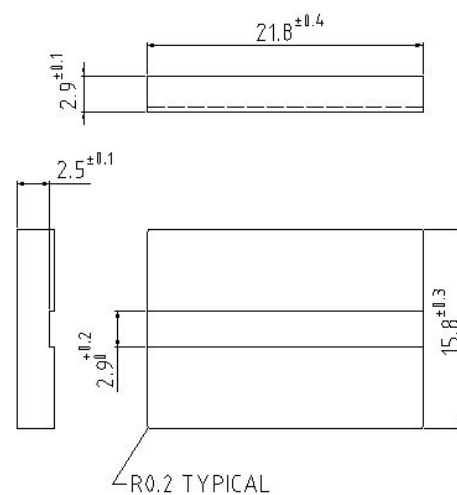
To be used with E core and I bar shown below

Note:

** = 48 for F48 material
or 47 for F47 material



32-9170-** 22mm E core



33-9170-** 22mm I bar

If simply gluing components, then the following cores without recesses are available:

- 14mm Planar 32-9140-** E core 33-9140-** I bar
- 18mm Planar 32-9180-** E core 33-9180-** I bar
- 22mm Planar 32-9210-** E core 33-9210-** I bar